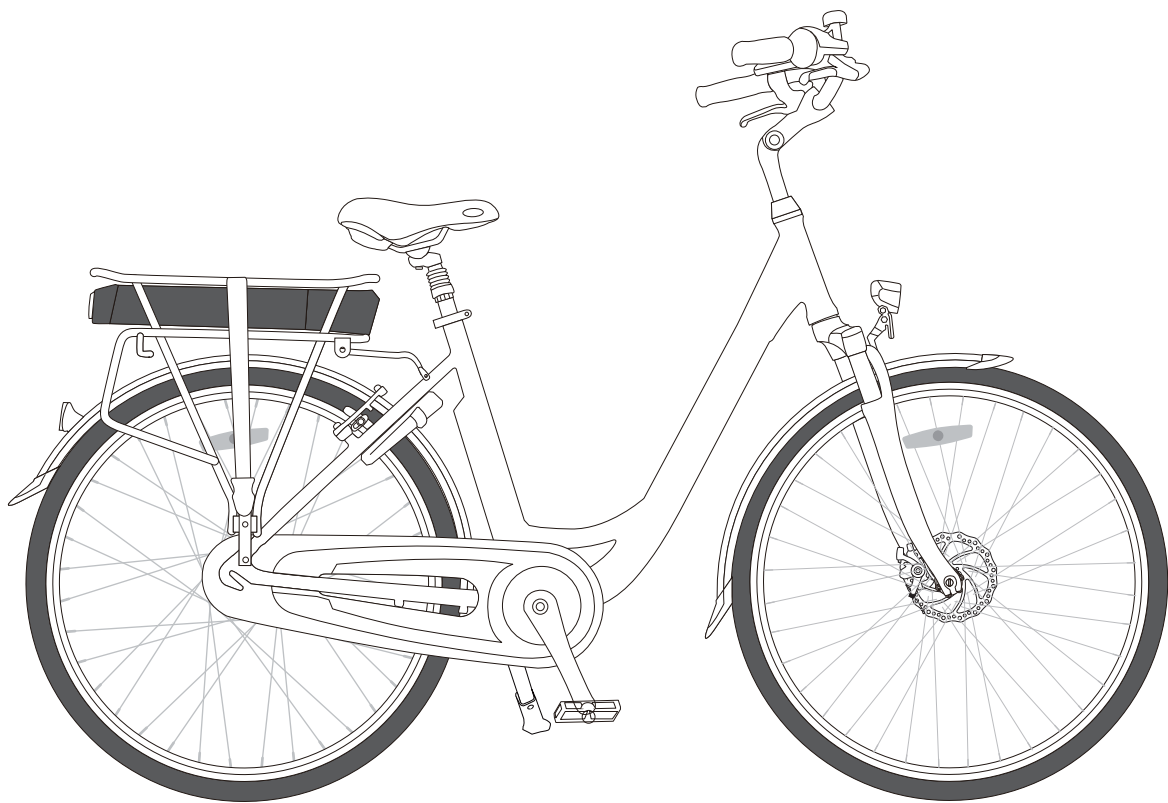




Munich N8C 36V

OWNER'S MANUAL



Important information enclosed: please read before your first ride!

- 1. GENERAL INTRODUCTION**
- 1.1 Welcome 01
- 1.2 Use of the Manual 01
- 1.3 Service and Technical Support 01
- 1.4 Choosing the Right Size 01
- 1.5 Bike Components 02
- 1.6 Range 03
- 1.7 Shifting Recommendations 03

- 2. SAFETY**
- 2.1 Battery & Charger 04
- 2.2 Bike Usage 04
- 2.3 Transport 06
- 2.4 Keys 06

- 3. INSTALLATION AND ADJUSTMENT**
- 3.1 Handlebar and Stem Assembly 07
- 3.2 Assembly of the Pedals 08
- 3.3 Seat Position 09
- 3.4 Saddle Height 10
- 3.5 Saddle Adjustment 10
- 3.6 Brakes 10
- 3.7 Shifter and Derailleur Adjustment 12

- 4. E-PARTS OVERVIEW**
- 4.1 Explanation 13
- 4.2 Battery & Charger 13
 - 4.2.1 Overview 13
 - 4.2.2 General Remarks 14
 - 4.2.3 Installing and Removing the Battery 14
 - 4.2.4 Charging 14
 - 4.2.5 Usage 15
 - 4.2.6 Storage 15

- 5. DISPLAY** 16

- 6. RECOMMENDATIONS AND MAINTENANCE**
- 6.1 General Requirements 23
- 6.2 Maintenance Schedule 23
- 6.3 Troubleshooting 25
- 6.4 Definition of Tampering and Recommendations 26

- 7. TECHNICAL DATA** 27

- 8. WARRANTY** 27

1. GENERAL

1.1 Welcome

We would like to thank you for your purchase of an NCM E-bicycle and welcome you to our fast-growing family of E-bike enthusiasts. Bicycles offer unparalleled practicality and excitement, and our bikes at NCM are supercharged versions of this amazing invention. As bikes have evolved so have we, standing at the forefront of innovation in E-cycling technology, aiming to offer something new and thrilling while keeping and promoting the soul of cycling.

1.2 Use of the Manual

We encourage you to read this manual thoroughly before you take your new E-bike for a ride. It is important not to overlook the safety instructions and explanations of both traditional and non-traditional bike parts, as this will offer you a general understanding of your new NCM E-bike. The manual is designed to help you get the most out of your E-bike, and so we have attempted to answer as many of your potential questions as possible.

Please take a moment to read through the various sections before you get in the saddle.

1.3 Service and Technical Support

This manual is intended as a general overview of your new NCM E-bike, and is therefore not an extensive reference. For technical support, including information about service, maintenance and repairs, please consult your dealer. You can visit our global website(www.ncmbikes.com) for more information about our products and technology, or to find a dealer close to you. You can also email us your inquiries at support.uk@ncmbikes.com.

1.4 Choosing the Right Size

An important consideration when selecting the size of your new bike is the stand-over clearance: the distance between you and the top tube of the bike when you stand over it with your feet flat on the ground. For most bicycles, this distance should be at least 1" (25 mm). If you are choosing a mountain bike, it is recommended to have at least 2" (50 mm) of space. Your bike dealer can assist you in finding a bicycle with the correct dimensions for you.

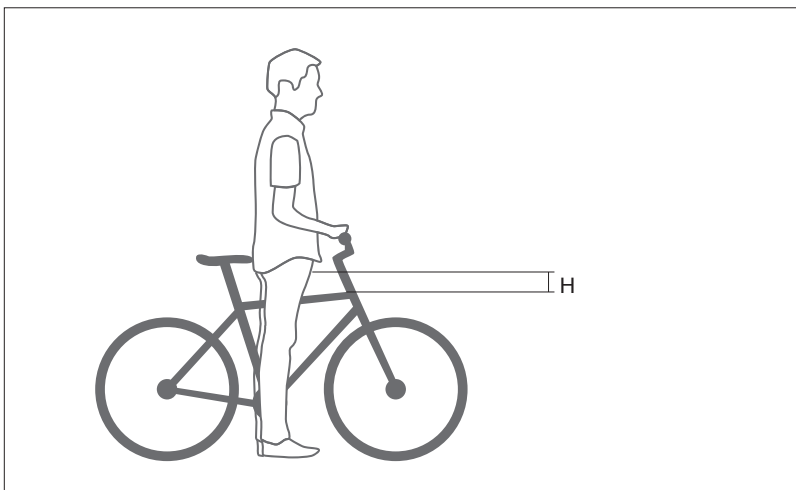


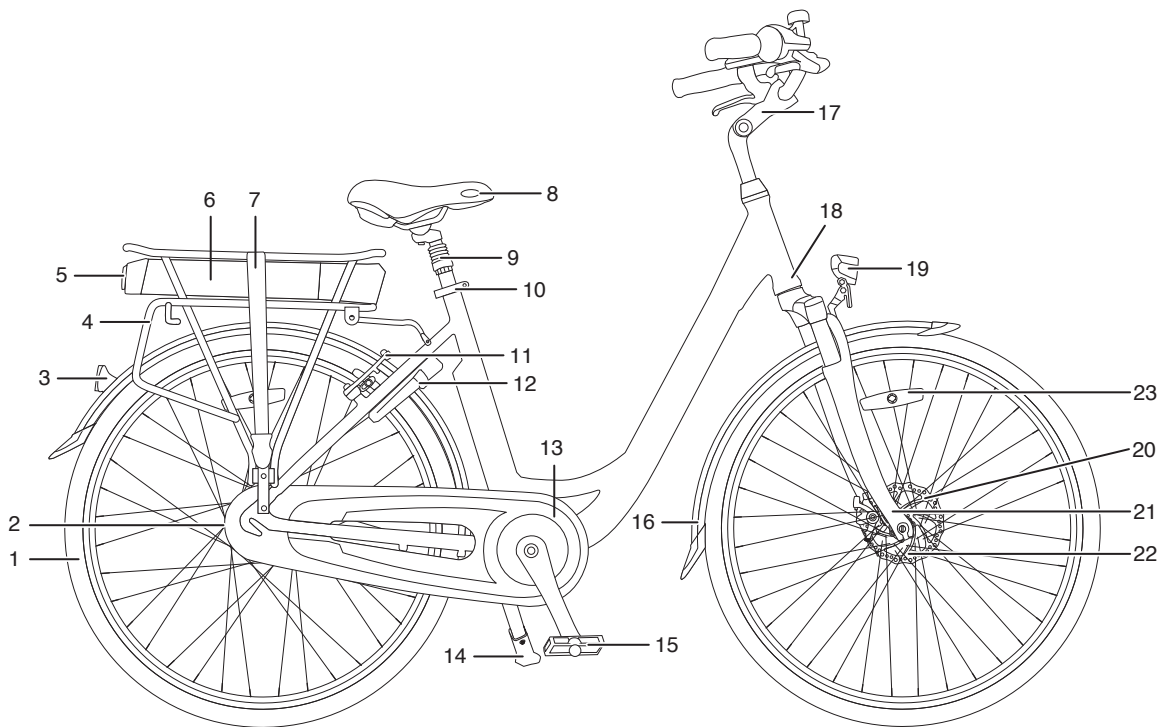
Figure 1
 H = stand-over clearance
 Minimum: 1" for most bicycle types
 2" for mountain bicycles

For some bicycles, like low-step cruisers, stand-over clearance measurement cannot be used as they either do not have a top tube or it is sloped very low. For these bikes the height of the seat post should be used to select the correct size. You should be able to touch the ground comfortably while sitting in the saddle when it is at its lowest point in the seat tube.

Adjusting the saddle can further improve the comfort, fit and performance of your bike.

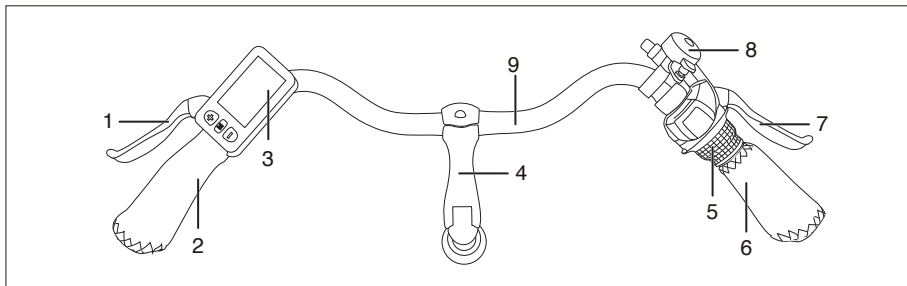
The load limit for your bicycle is 125 kg (including the rider). Certain parts have their own load limits, such as the rear carrier; please consult your dealer if you are unsure of the load limits of your bike's parts.

1.5 Bike Components



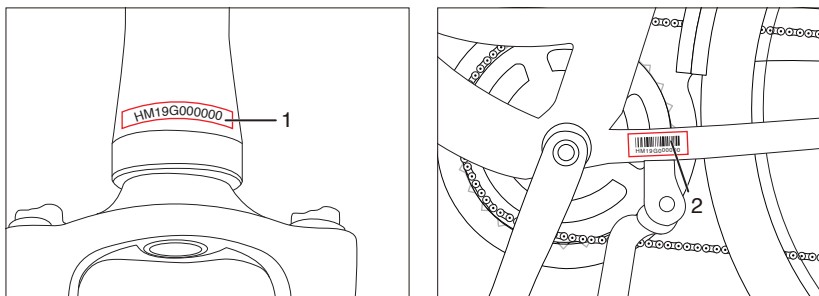
- | | |
|----------------------------|------------------------------------|
| 1 Tyre | 13 Chain Cover |
| 2 Rear Internal Derailleur | 14 Kickstand |
| 3 Rear Reflector | 15 Pedal |
| 4 Carrier | 16 Mudguard |
| 5 Rear Light | 17 Adjustable Stem |
| 6 Battery | 18 Frame Number |
| 7 Bungee Cord | 19 Front Light |
| 8 Saddle | 20 Front disc brake |
| 9 Suspension Seatpost | 21 Front Fork |
| 10 Saddle Quick Release | 22 Motor |
| 11 Rear V Brake | 23 Wheel Reflector |
| 12 Lock | (reflectors may differ by country) |

Handlebar Attachments



- | | | |
|---------------------|----------------------|--------------------|
| 1 Front Brake Lever | 4 Adjustable Stem | 7 Rear Brake Lever |
| 2 Left Grip | 5 8-Speed Revo Shift | 8 Bell |
| 3 Display | 6 Right Grip | 9 Handlebar |

Frame Number



- 1 Frame Number (head tube)
- 2 Frame Number (sticker)

1.6 Range

The range on one battery charge strongly depends on several conditions, such as (but not limited to):

- Road conditions, such as road surface and slope.
- Weather conditions, such as temperature and wind.
- Bike conditions, such as tyre pressure and maintenance level.
- Bike usage, such as acceleration, shifting, and motor assistance level.
- Weight of rider and cargo.
- Number of charge and discharge cycles.

1.7 Shifting Recommendations

For improved range, we advise shifting according to speed. For setting off and traveling at low speeds, a lower gear is best. At higher speeds a higher gear should be chosen. Releasing pressure from the pedals while shifting will allow for smooth support and improved range.

- High speed, high gear
- Low speed, low gear
- Reduce pedal pressure when shifting

2. SAFETY

2.1 Battery & Charger

- Keep the battery and charger away from water and heat sources.
- Do not connect positive and negative terminals.
- Keep the battery away from children and pets.
- Use the battery and charger only for their intended purpose as part of your E-bike.
- Do not cover the battery and charger, place objects on top of it or rest objects against it.
- Do not subject the battery and charger to shocks (e.g. by dropping).
- Stop the charging procedure immediately if you notice anything unusual.

In the unlikely event of the battery catching fire, DO NOT attempt to put it out with water. Use sand or another fire retardant instead and call emergency services immediately.

Avoid contact with the battery and charger during the charging procedure; the charger heats up considerably.

 Please take note of the additional information on the rear of the battery case.

2.2 Bike Usage

Try all settings on the E-bike and become accustomed to their various results in a safe and controlled environment before you try riding the bike on the open road. Bicycles with pedaling support may handle somewhat differently depending on the settings being used.

IMPORTANT SAFETY INFORMATION

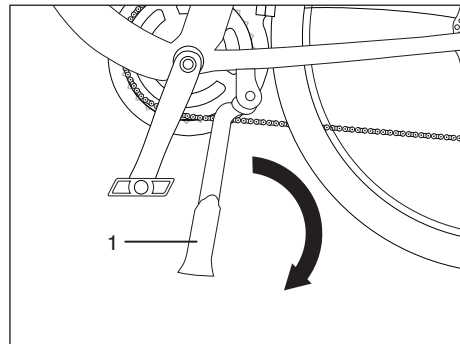
1. Always wear a helmet while riding. Make sure your helmet complies with local laws.
2. Keep body parts and other objects away from moving bicycle parts which may cause you harm, such as the wheels and chain. Do not rest any objects on the battery or motor. Do not impede the drivetrain in any way.
3. Always wear shoes that will stay on your feet and will grip the pedals securely. Never ride barefoot or when wearing sandals.
4. Be thoroughly familiar with the controls of your bike.
5. Wear bright, visible clothing that is not so loose that it may accidentally catch on moving parts of the bike or be snagged by objects at the side of the road or trail.
6. Do not jump with your bike. Jumping with a bike puts incredible stress on most components, such as the spokes and pedals. One of the most vulnerable parts to jumping-related damage is your front fork. Riders who insist on jumping a bike risk serious damage to the bike as well as to themselves.
7. Be mindful of your speed and keep it at a level which is consistent with conditions. Always keep in mind that there is a direct relationship between speed and control, and also between speed and component stress.
8. Always follow local traffic laws.
9. Never ride while under the influence of alcohol, medication or drugs.
10. If you suffer from any health conditions, please consult your doctor before riding.
11. Never endanger yourself or others through reckless riding.
12. Please keep in mind that braking distance increases with imperfect road conditions, such as gravel or wet surfaces.
13. Please check the cable routing of the brakes before cycling. Ensure that both brakes are operational and in good condition.
14. The e-bike is mainly suitable for rides on paved roads and paths. It is recommended not to use the e-bike for extreme mountain tours with multiple climbs, as the system is not designed for these climbs due to the torque of the motor.

It is customary for countries with right-hand traffic to have the front brake on the left-hand brake lever and the rear brake on the right-hand lever. The opposite is generally true for countries with left-hand traffic. The table below shows several examples.

Country	Cable Routing	Country	Cable Routing
Austria	Left lever controls front brake, Right lever controls rear brake	Australia	Left lever controls rear brake, Right lever control front brake
Brazil		Indonesia	
Canada		Japan	
Denmark		Hongkong	
France		Malaysia	
Germany		New Zealand	
Italy		Singapore	
Netherlands		UK	
Portugal			
Poland			
Spain			
South Korea			
Switzerland			
Russia			
USA			

⚠ WARNING:

- Please do not touch the hot surfaces after heavy use, such as the disc brake rotor or V-brake rim side edge.
- When folding out the kickstand, always ensure that the stand is secure and that the base is solid, so that a fall of the bicycle is prevented.
- Please follow local laws regarding age restrictions for cyclists.



Inflating the Tyres

⚠ WARNING:

You should always check the tyre pressure before you start riding, or once a week at the minimum. Check the side wall of the tyre for the minimum and maximum inflation pressures, and always ensure that your tyres are inflated to a pressure within the indicated range. If the pressure is too low, your wheel may be damaged, or the inner tube may be pinched, resulting in a flat tyre. If the pressure exceeds the maximum recommended number, the tyre may blow off the rim, resulting in damage to the bike and injury to the rider and those nearby.

To ensure that you always have the correct and desirable tyre pressure, use a bicycle pump with a built-in pressure gauge.

2.3 Transport

Transport by car

Batteries should be removed from the bike during transport by car, as they may be damaged through excessive and repeated shocks or by foreign objects striking the bike at high speed.

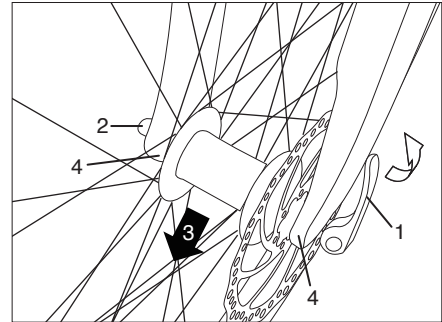
Please remove the batteries and keep them inside the car during transport.

Remove the front wheel for transport

- Open the quick release lever (1) and loosen the axle nut (2) a few turns.
- Remove the front wheel (3) from the fork downwards.

Install the front wheel

- Insert the front wheel (3) into the dropouts (4) of the fork.
- Tighten the axle nut (2) and close the quick release lever (1).
- The lever must be pointed upwards (and aligned with the fork to prevent snagging) and should be closed with noticeable counter pressure.



WARNING:

- To avoid any danger, after you have installed the wheel, please test the brake system before cycling.
- If the quick release lever is not completely closed, it may fully open again easily. This can cause the wheel to fall off the bike, leading to serious falls and bike damage. To ensure that your wheel is securely in place, the quick release lever should offer considerable resistance when closing by hand and must always be fully closed before riding.

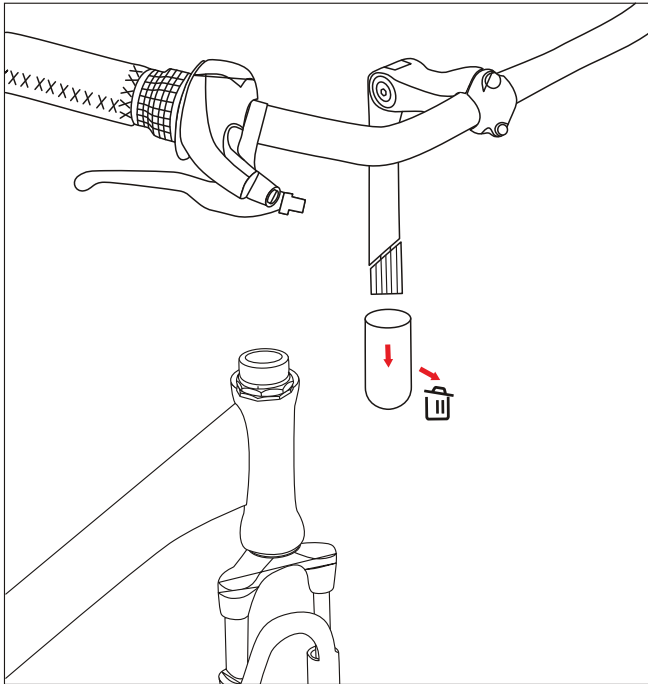
2.4 Keys

Each NCM E-bike comes with two copies of the battery lock key. Bikes with rim locks are delivered with extra keys (not the same key as the battery). Onboard charging of the battery will likely lead to infrequent usage of the battery lock key; it is needed for maintenance and repair, however, so please keep this in mind when storing the key.

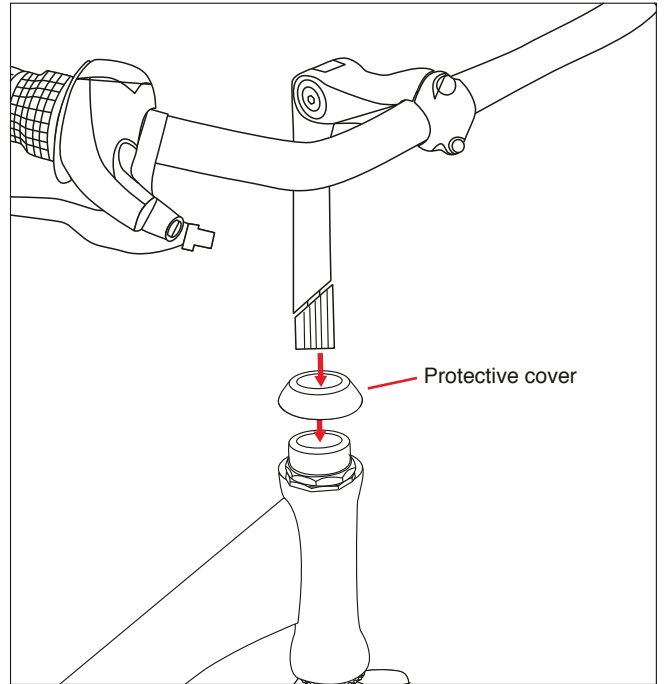
- Make sure to always have at least one spare key.
- Keep spare key(s) in a safe place for repairs, maintenance and emergencies.
- Please bring the key when going to your NCM dealer for maintenance or repairs.

3. INSTALLATION AND ADJUSTMENT

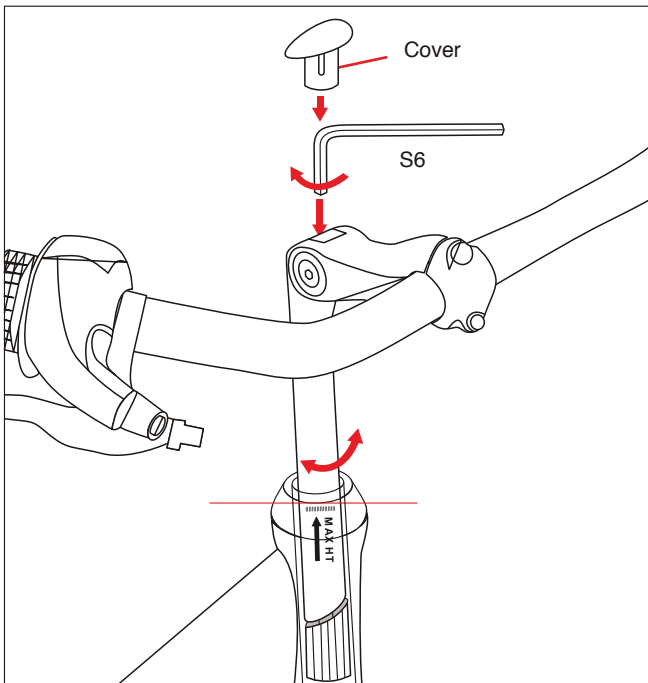
3.1 Handlebar and Stem Assembly



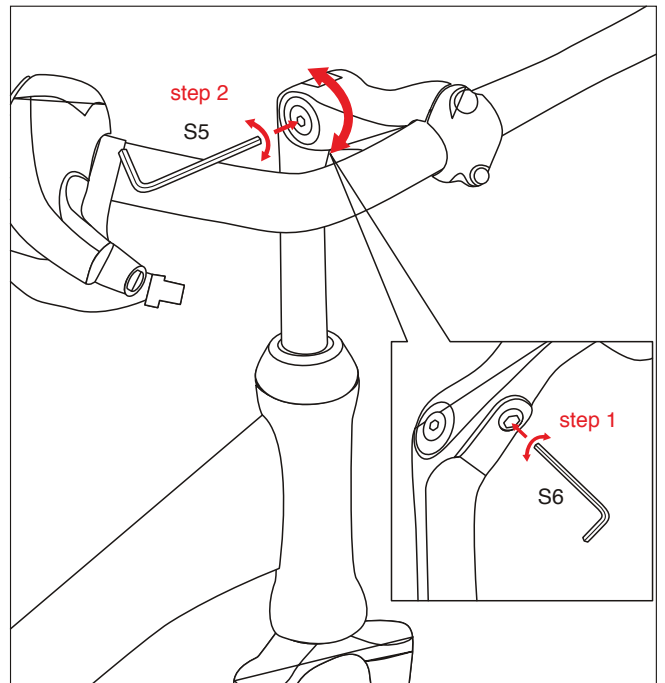
1. Remove the protective plug from the threaded stem.



2. Push the stem into the frame as shown in the image below.



3. The minimum insertion mark shows how far the stem can be safely pulled out of the head tube. The mark should always be inside the head tube (inside the frame, not visible). Align the handlebar perfectly perpendicular to the front wheel. Pull out the screw cover at the top of the stem and tighten the screw to secure the position of the stem and handlebar. Push the screw cover back into place.



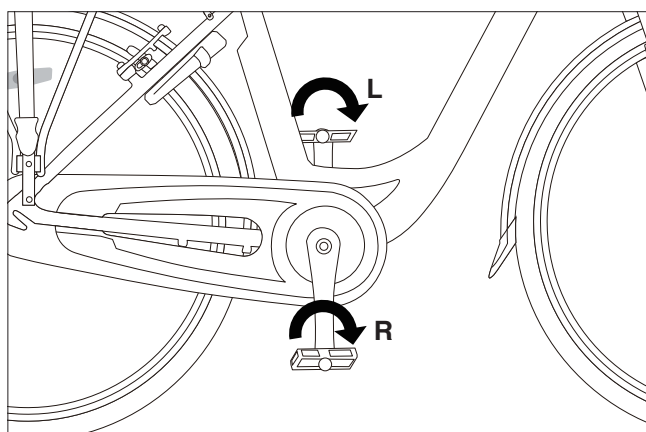
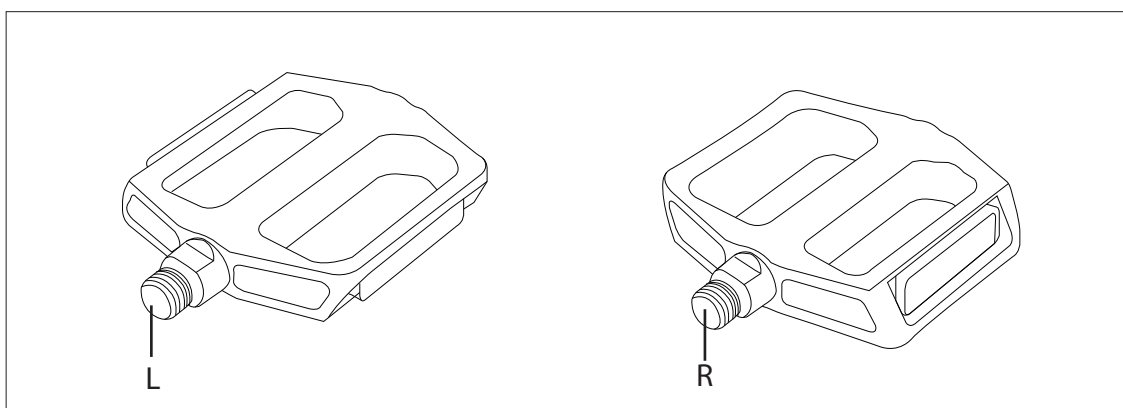
4. Loosen the screws under and on the side of the stem head. Move the handlebar up or down into the desired position and tighten the screws again.

3.2 Assembly of the Pedals

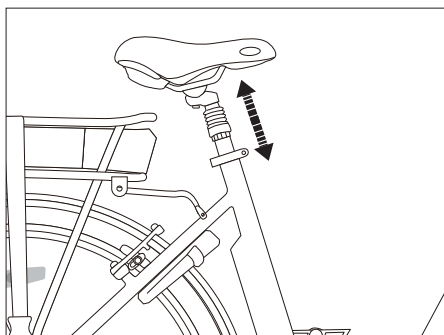
- Identify your pedals: check the letters on the pedals, "L" or "R".
- The "R" marked pedal is for the right (when facing the forward direction). For attachment to the crank, tighten clockwise.
- The "L" marked pedal is for the left. For attachment, tighten counterclockwise when facing directly.

⚠ WARNING:

First screw on the pedals by hand, then tighten with the wrench provided.

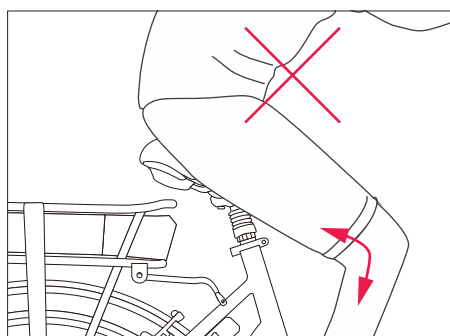


3.3 Seat Position

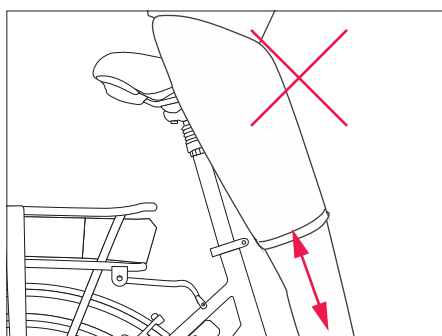


To enable comfortable, fatigue-free and safe riding, the saddle and handlebar height should be adjusted to the body size of the rider.

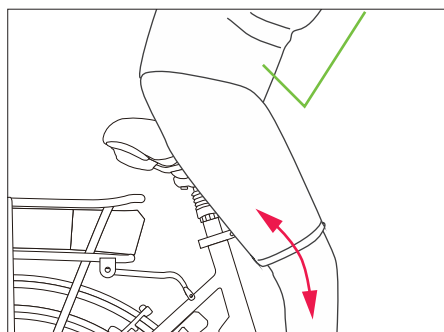
The saddle height is correct if the leg is near full extension while the foot is resting flat on the pedal in the bottom position of the crank cycle. The toes must still be able to touch the ground comfortably.



Too low



Too high



Optimal

3.4 Saddle Height

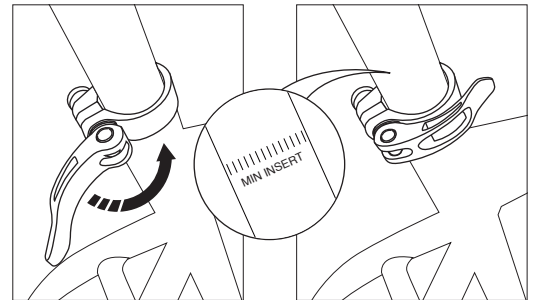
The quick-release lever must require noticeable effort to put into fully closed position to prevent any undesired movement while riding.

⚠ WARNING:

An improperly closed quick release lever can open again or have limited ability to keep the saddle in place. This may cause the saddle to suddenly drop into the seat tube, potentially leading to serious falls and injury.

There is a minimum insertion line marked on the seat post (failure to observe the minimum insertion line can result in serious injury); please ensure the seat post is always inserted into the seat tube beyond this line (the line must be inside the seat tube).

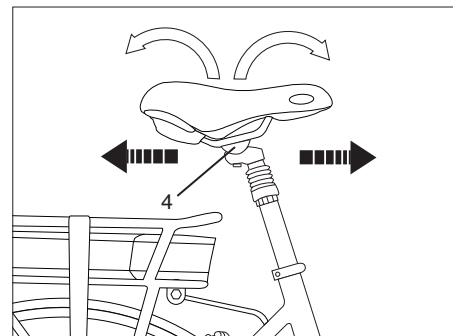
- Loosen the quick release lever at the top of the seat tube, determine the appropriate saddle height and tighten the clamp.
- The clamping force can be adjusted by adjusting the bolt on the quick release lever.
- The quick release lever must be closed with considerable counter pressure.



3.5 Saddle Adjustment

The saddle can also be tilted and adjusted in the forward/back direction.

- Loosen the bolt at the bottom (4).
 - Adjust the saddle tilt by pressing down on the front or rear of the saddle
 - Move the saddle forward or backward to adjust for arm/torso length and desired riding position.
- Tighten the bolt (4) to secure the saddle.



⚠ WARNING:

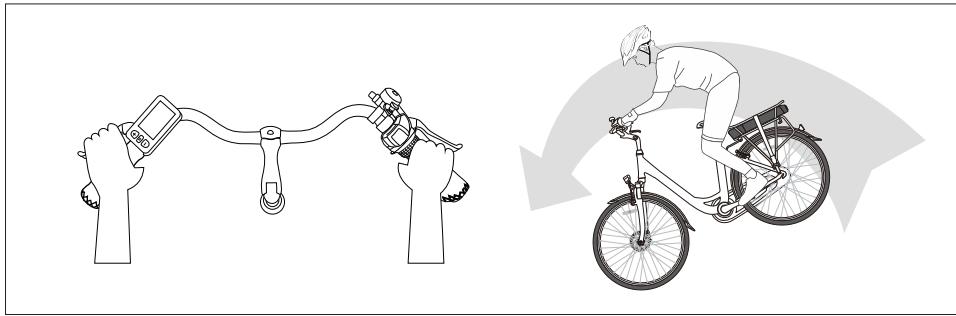
To avoid discomfort, the saddle should generally be set as horizontal as possible.

3.6 Brakes

3.6.1 General

In most countries, bicycles are made so that the left brake-lever controls the front-wheel brake; to change this, please contact your dealer for help, Keep in mind Section 2- Important safety information.

If your bicycle has two hand brakes, apply both brakes at the same time for optimal stopping distance.



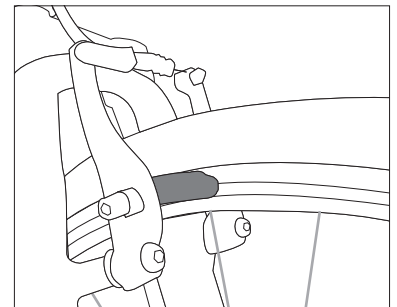
⚠ WARNING:

Overuse or incorrect use of a front-wheel brake can cause the rear wheel to lift off the ground, resulting in decreased control of the bike or even flipping the bike and rider in the forward direction; this can lead to serious injury and bicycle damage. Be careful when applying the front brake, and avoid using it without also using the rear brake. Ideally, both brakes should be applied at the same time, with the rider moving rearward on the bicycle depending on the amount of braking pressure applied.

⚠ WARNING:

Brake pads remove rim material when you apply the brake. If the brakes remove too much material over time, the rim can become weak and break, decrease your control, and cause you to fall. Regularly check your rims. Replace a rim that is worn.

Rim wear indicator: shallow groove in brake track on aluminum rim.



3.6.2 Brake Adjustment

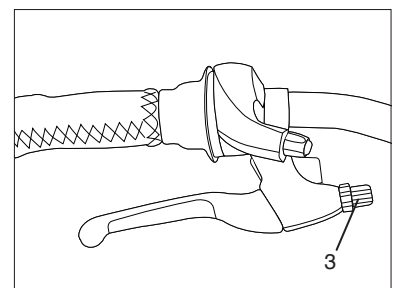
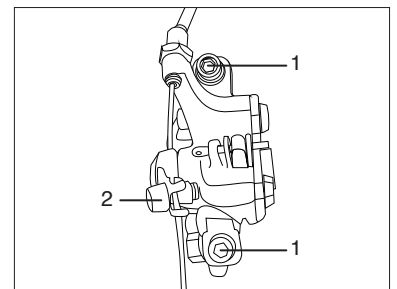
Disc brakes

When the wheel is out of the frame, do not operate the brake lever. With some brakes, the pads automatically adjust their clearance such that you will not be able to re-insert the disc.

Aligning a mechanical disc brake

1. Loosen or tighten the barrel-adjuster at the lever-end of the brake cable. This will make a small adjustment to the clearance of the brake pads. If this is insufficient to create the right clearance.
2. Loosen the two alignment bolts but do not remove them. Slowly rotate the wheel and check the space between rotor and brake pads; adjust the position of the brake pads so that the rotor is not rubbing and is slightly closer to the outer pad (the clearance between rotor and pad should be just enough to prevent rubbing). Make sure the rotor and pads are parallel to each other. Tighten the bolts when the adjustment is finished.
3. If the rotor is always rubbing against the brake pads or if there is too much space, you can adjust the brake pad clearance by loosening the cable-clamp bolt and releasing the cable slightly to increase clearance or tightening the cable to decrease clearance, then tightening the bolt again.

Note: Ensure that the brake cables are properly inserted into the brake levers before adjusting the brakes.



- 1.Alignment Bolts
- 2.Cable-clamp Bolt
- 3.Barrel-adjuster

Rim brakes(V-brakes)

Brake modulator

The brakes are equipped with a brake modulator, or “Power modulator.” This device includes a small spring in the brake tube. As you squeeze the brake lever, you must compress the spring before you can apply full braking power to the rim. This changes the way the brake feels, makes the application of stopping force more gradual, and also makes the adjustment somewhat more sensitive.

To adjust the alignment of the brake pads on a rim brake

1. Loosen the brake-pad fixing bolt.
2. Align the brake pads as shown in the figure above. Tighten the brake-pad fixing bolts.
3. After you adjust the brake, test it by pulling the lever. Make sure the cable does not slide through the cable clamp, the brake pads engage the rim at ninety-degree angles, and the brake pads do not touch the tyre.

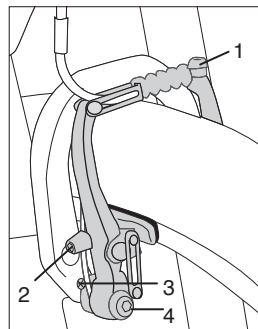
To adjust the clearance between the brake pads and the rim

1. Turn the barrel-adjuster located on the brake lever.

- To increase the clearance between the brake pads and rim, turn the barrel-adjuster clockwise.
- To decrease the clearance, turn the barrel-adjuster counter clockwise.

2. If the brake pads cannot be adjusted correctly with the barrel-adjuster, further work is required:

- Loosen the cable-clamp bolt, adjust the cable and tighten the bolt again.
- Release the cable slightly to increase clearance.
- Tighten the cable to decrease clearance.
- Re-adjust the brake-pad alignment, or take the bicycle to your dealer.



1. Cable-clamp bolt
2. Pad-clamp bolt
3. Center-adjust screw
4. Arm-clamp bolt

Hub brakes

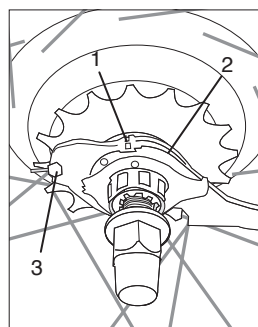
A hub brake such as a coaster brake, rollar brake usually requires multiple frame attachments and multiple adjustments. Due to this complexity and the importance to your safety of having the brake adjusted correctly, we highly recommend that any adjustment of a hub brake, or removal of the wheel from the frame, only be done by your retailer or manufacturer.

3.7 Shifter and Derailleur Adjustment

Internal Rear Derailleur Adjustment (Nexus 8 speed)

These systems change gears with a mechanism that is in the rear hub. Each month, check the internal gear system.

1. Turn the shift-lever to the fourth-gear position.
2. Check the indicator on the rear-hub pulley with the cog joint bracket. If the red lines are not in alignment, turn the barrel-adjuster until they are in alignment.
3. Move the shift-lever to first gear. Then move the lever to fourth gear. Check the adjustment.



1. Pulley
2. Cog joint bracket
3. Cable-clamp bolt

4. E-PARTS OVERVIEW

4.1 Explanation

NCM E-bikes are equipped with components that work together to give you a smooth, powerful and effortless riding feel. Our pedal-assist system consists of the following:

Battery

NCM E-bikes' integrated lithium-ion battery packs are some of the highest capacity packs available on the market, with the Munich N8C storing up to 468Wh of energy. The packs consist of high-density Panasonic cells, meaning that our designs remain sleek and light without any sacrifices to battery capacity.

Motor Powered by BAFANG

With a reliable, compact but powerful 250W Bafang motor, you will always have the required assistance on hand when you want it. Delivering a smooth and quiet ride at all assistance levels, this motor is perfect for helping the rider navigate busy city streets as well as peaceful parks and nature areas.

Display

The Das-Kit control panel gives the rider full command over the electric system, and its simple setup provides all the information you may need about your E-bike at the quick touch of a button, allowing you to spend more time enjoying the world around you. The display provides the following information:

- Battery level indicator
- Support level indicator
- General indicators: speed, distance etc.

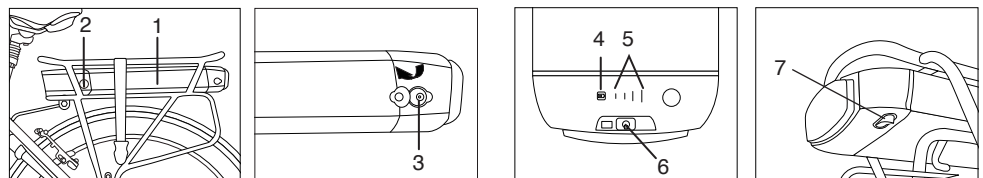
When using the brake with the brake sensor (the brake lever controlling the rear brake), the sensors inside cause the engine's support to stop immediately. Engaging the rear brake will automatically stop the motor's assistance in all cases. Another sensor, within the crankset, also serves to stop the motor when the rider stops pedaling.

The bike can also be used without electrical support from the motor; by setting the support level to 0, the E-bike will behave like a traditional bicycle. An empty battery will not render your bike unusable.

4.2 Battery & Charger

4.2.1 Overview

- 1 Battery
- 2 Battery Lock
- 3 Charging Port
- 4 Capacity Level Button
- 5 Capacity Level Light
- 6 Rear Light Button
- 7 Battery Power Button



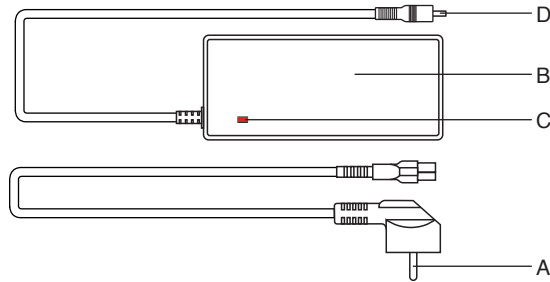
⚠ WARNING: (Sticker on the battery)

Please ensure that the battery is locked before use.

⚠ ATTENTION: (Sticker on the battery)

- Do not use or charge the battery at high temperature.
- Do not short circuit the positive(+) and negative(-) connectors of the battery.
- Do not immerse the battery in water or acidic liquid. Keep the battery away from fire and high heat.
- Do not disassemble the battery or battery case.
- Please store the battery in a clean and dry environment. Charge the battery for two hours every three months if the battery is not being used.
- Please charge the battery with the specified charger.

- A AC socket (100~240V) (type will vary)
- B Charger
- C Charging Indicator
- D Charging Socket



4.2.2 General Remarks

- Stop charging the battery immediately if you notice anything unusual, such as smoke or a strange smell; take out the battery and store it outside of the house, then take the battery to an authorized NCM dealer or experienced technician for service or replacement.
- In the unlikely case that the battery catches fire, do NOT attempt to put it out with water. Use sand or another fire retardant instead and call emergency services immediately.

4.2.3 Installing and Removing the Battery

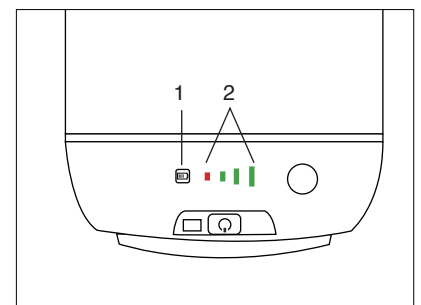
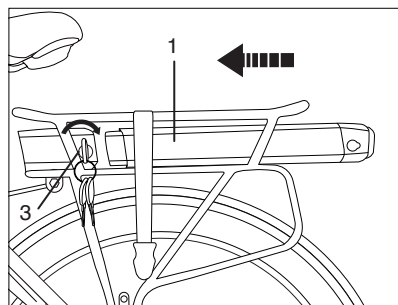
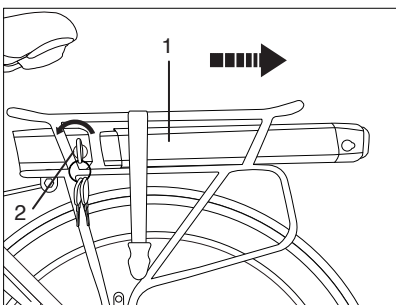
The battery (1) is secured with a lock.

-Unlock the battery and pull it out with the handle (2).

-Insert the battery (1) into the frame until it stops.

-Remove the key from the lock (3).

-Ensure that the battery is well secured.



4.2.4 Charging

- Charging at temperatures below 0°C or above 60°C (32°F~140 °F) can cause the battery to charge insufficiently and can be harmful to the life of the battery.
- During charging, the charger’s LED light will be continuously red.
- Charging is completed when the charger’s LED turns green.

Charging battery outside the bike

1. Insert the key to unlock the battery, then pull the battery backwards at the top.
2. Take out the battery.
3. Connect the charger to the battery.
4. Connect the charger to an AC outlet.
5. Charging procedure can be stopped at any time.
6. Disconnect the charger from the AC outlet first and then from the battery.
7. Reinstall the battery and ensure that it is correctly aligned at the bottom.
8. Push down on the top of the battery until you notice a 'click' in order to ensure that the battery is properly secured.
9. Pull out the key.
10. Your NCM E-bike is ready for use.

Charging battery inside the bike

1. Connect the charger to the battery.
2. Connect the charger to an AC outlet.
3. Charging procedure can be stopped at any time.
4. Disconnect the charger from the AC outlet first and then from the battery.
5. Your NCM E-bike is ready for use.

4.2.5 Usage

When the battery power level drops to 1 bar, assistance from the motor will stop. If there are lights connected to the battery, they will remain in operation for approximately two hours.

Remaining power in the battery can be checked by pressing the power button on the battery next to the LED indicators. The handlebar mounted display will also indicate remaining power level when the bicycle is in use.

Perform a complete discharge of the battery (by riding your E-bike until the battery is completely empty) after 15 normal charges or every three months; this will help increase the life of the battery. The charging time will be around 7 hours per one time. Please do not charge the battery for more than 14 hours at a time (the battery will be fully charged much sooner).

4.2.6 Storage

If the bike is not in use for a period of longer than one month, it is best to store the battery:

- At 40%-60% of its capacity, charged once a month for 30 minutes.
- Detached from the bike.
- At temperatures between 0°C and 40°C.

If not in use, the battery should be checked once a month and should have at least one LED light blinking, indicating remaining charge. Charge the battery if necessary.

It is important to charge the battery every three months (for one or two hours) at the minimum. Failing to do so can cause harm to the battery and could result in the warranty of the battery becoming void.

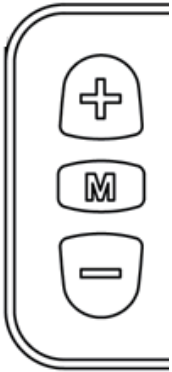
5. DISPLAY

5.1 The Buttons

There are three buttons on the display: “M”, “+” and “-”.

“M” represents MODE/ON/OFF.

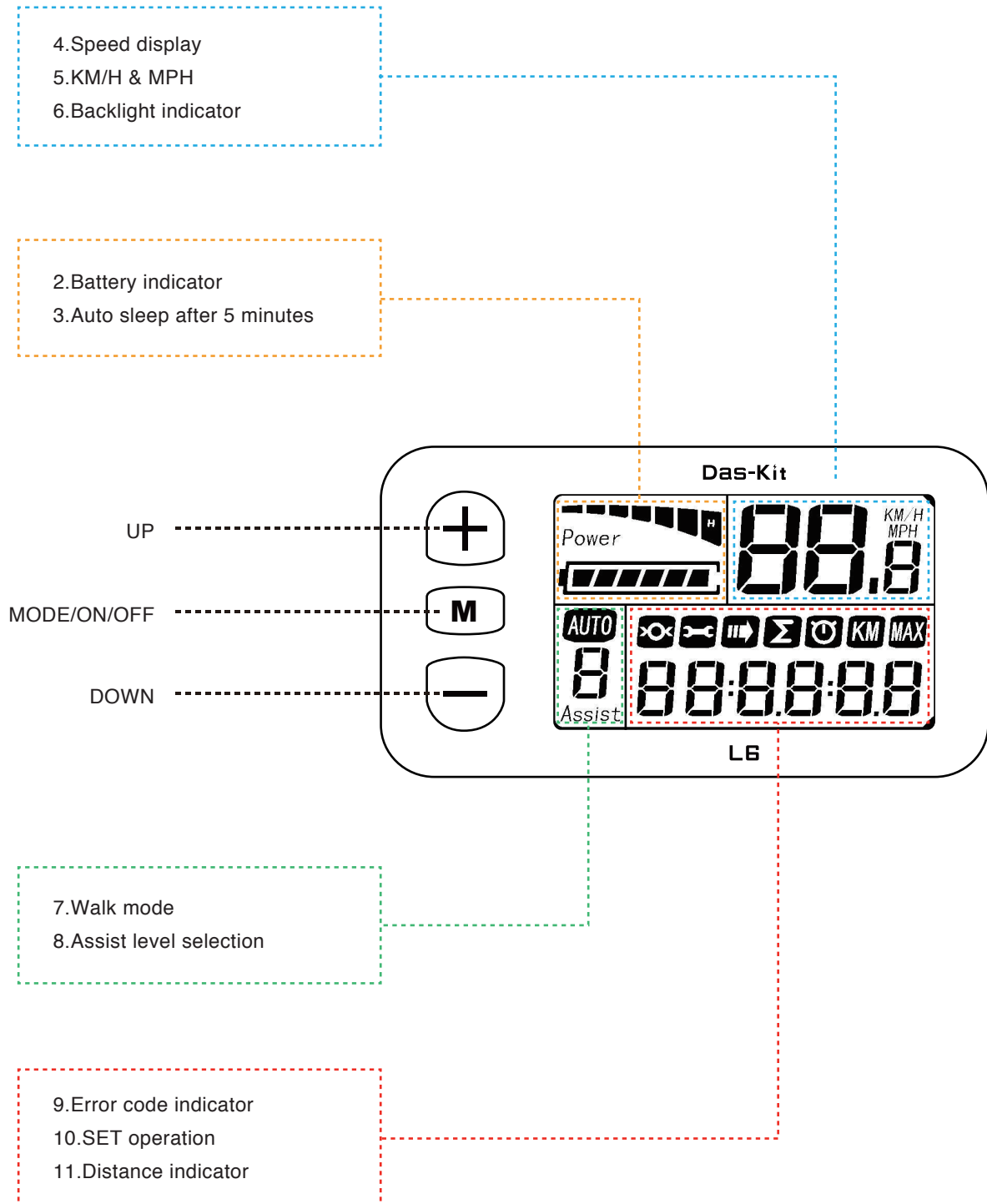
“+” represents UP. “-” represents DOWN.



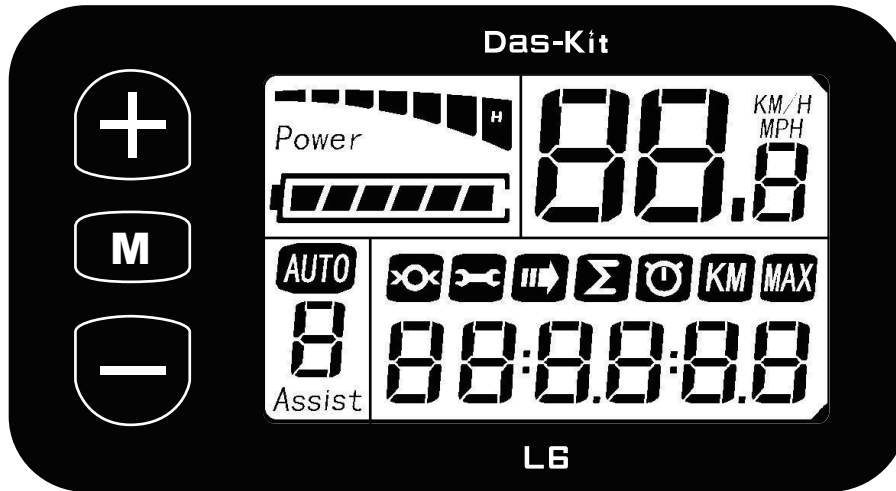
5.2 Display Functions

5.2.1 FUNCTION SUMMARY

1. Switch

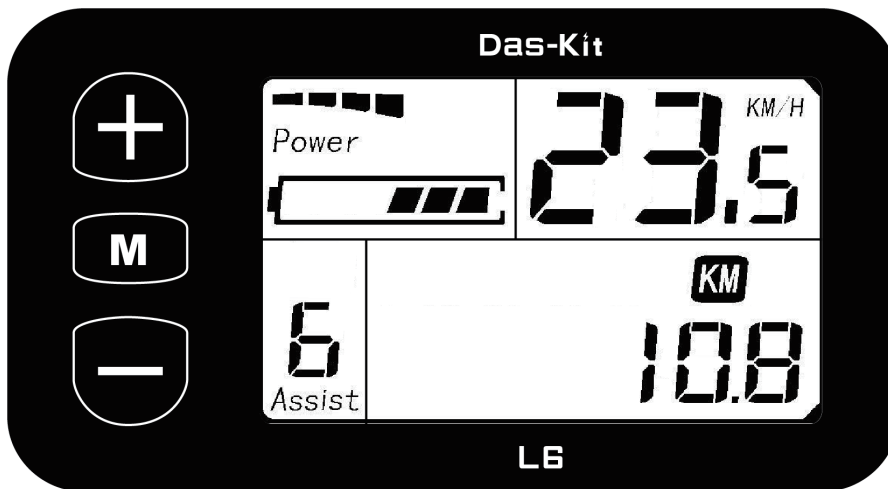


5.2.2 FULL VIEW AREA



5.2.3 NORMAL VIEW AREA

The normal view area of the L6 is shown below. It indicates the current flow, remaining battery capacity, speed, PAS, and distance traveled. Press M to change the indicators being displayed.



5.3 Normal Operation

5.3.1 ON/OFF

Press M to activate the display. With the display on, press M for 2 seconds to turn off power. With the display off, there is no battery power consumption.

* The panel will automatically power off when speed is 0 mph for 5 minutes.

5.3.2 CURRENT DISPLAY

The current indicator shows the present discharging current of the controller: each segment is 2A; six segments are $\geq 12A$ (The bar graph shows in real time the output power of the motor. 1 bar – low power, all bars – full power.)



5.3.3 SPEED DISPLAY

The speed display is as below. It displays the current riding speed of the e-bike.

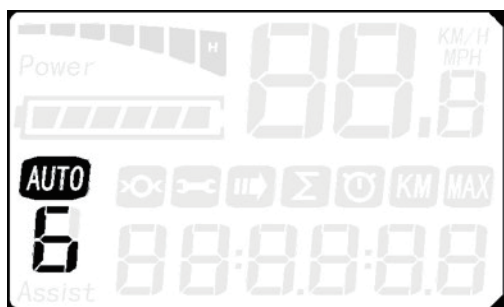


5.3.4 BACKLIGHT INDICATOR

With the power on, press UP (+) for 1 second to turn on the backlight. Press it for 1 second again to turn off the backlight.

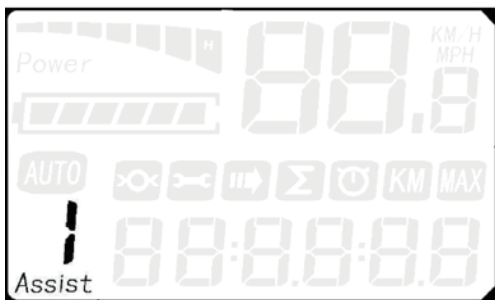
5.3.5 WALK MODE

Hold DOWN (-) for 2 seconds to enter the power-assisted walk mode. When the AUTO icon is lit, the E-bike will travel at 3.7 mph without the need for the rider to pedal. Assisted walk mode will cease when the “-“ button is no longer being pressed.



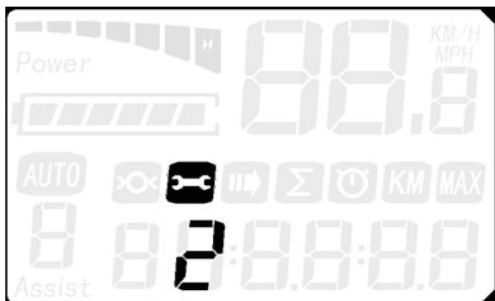
5.3.6 ASSIST LEVEL SELECTION

Press UP (+) or DOWN (-) to change the PAS level and thus change the power output of the motor. The default mode is PAS 1 and assistance ranges from level 0 to level 6. Level 0 provides no assistance from the motor. The levels are customizable.



5.3.7 ERROR CODE DISPLAY

If there is something wrong with the electronic control system, the display icon will flash at 1Hz and show the error code automatically. Different error codes represent different faults in the system; consult the table below for details.



- * The display cannot return to normal status until the problem is solved; the E-bike’s electric components will not function if there is an error in the system. However, the bike can still be operated conventionally (without pedal assistance).
- * Hold UP(+) and M at the same time to show the error code.

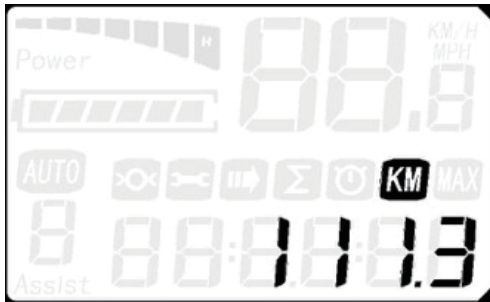
Each error code corresponds to a specific fault in the system.

Error code	Definition
0	Normal
1	Current error or MOS (semiconductor) damaged
2	Throttle error (detection after turning on)
3	Motor without phase position(losing power)
4	Hall signal error (electromagnet in incorrect position)
5	Brake error (detection after turning on)
6	Under voltage
7	Motor stalling
8	Error in communication with controller
9	Error in communication with display

5.4 Settings

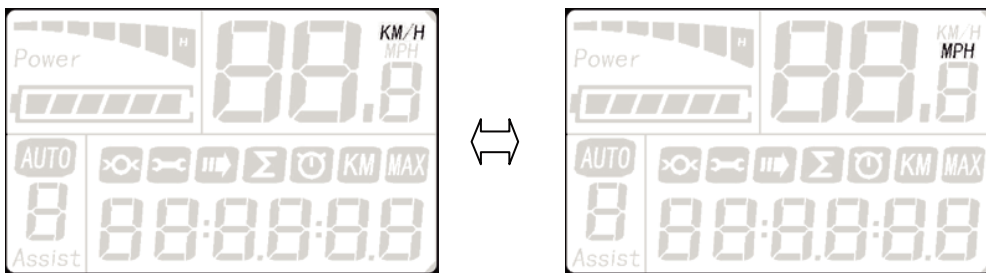
5.4.1 TRIP DISTANCE

Trip distance records the riding distance for the current session. It is displayed as below. Holding UP (+) for 2 seconds will make trip distance data flash at 1Hz and holding UP (+) for 2 more seconds will reset the indicator.



5.4.2 KM/H & MPH

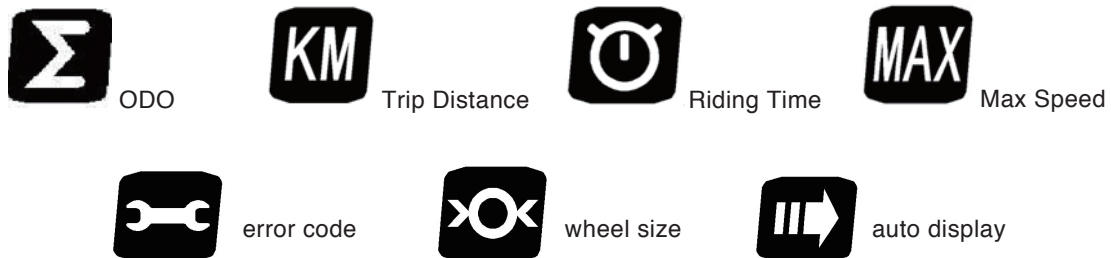
Hold UP (+) for 8 seconds to enter the KM/H and MPH selection mode, then press UP (+) or DOWN (-) to switch between KM/H and MPH and M to confirm and exit.



5.5 Additional Indicators

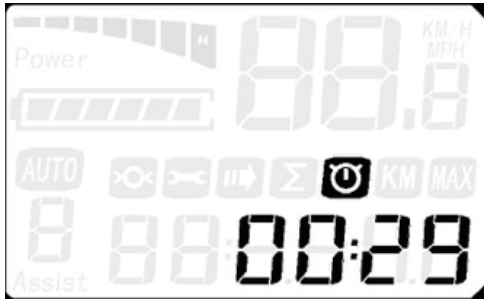
5.5.1 GENERAL

With the display on, press M to change the information that is being displayed. The data that can be shown on the display is:



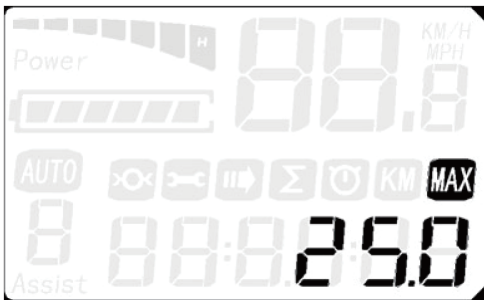
5.5.2 TRIP TIME INDICATOR


The trip time function records and displays the duration of the current session; it is automatically reset when the display is turned off.



5.5.3 MAX SPEED

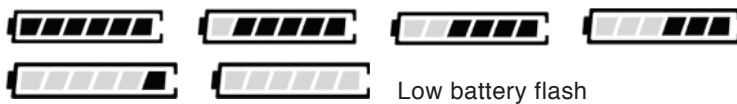
The max speed function records the top achieved riding speed and is displayed as below.



*Select  to have the indicators cycle automatically.

5.6 Battery Indicator

When battery level is high, the six battery segments will all be lit. When the battery is low, the battery frame will flash, indicating that the battery needs to be recharged immediately.



If you still have some questions about the display, please contact your NCM dealer.

6. RECOMMENDATIONS AND MAINTENANCE

6.1 General Requirements

NCM E-bikes use metal shells to cover the electric components, so we strongly advise against the use of excessive water to wash the shells and parts around them. Use a soft cloth with a neutral solution to wipe the dirt off the shells. Afterward, wipe everything dry with a clean soft cloth.

Do not use high-pressure water or air hoses for cleaning; this can force water into electrical components, which may cause malfunctioning.

Do not wash plastic components with excessive water. When the internal electrical parts are affected by water the insulator may corrode, leading to power-drain or other problems.

Do not use soap solutions to wash the metal components. Non-neutral solutions may cause discoloration, distortion, scratching, etc.

Avoid leaving the bike outdoors

When not riding, keep the bike in a location where it will be protected from snow, rain, sun, etc. Snow and rain can cause the bike to corrode. Ultraviolet rays from the sun can cause unnecessary fading of paint or crack any rubber or plastic on the bike.

Recommended Torque Values

Front Wheel Nuts	22-27 Newton Meters	16.2- 19.8 ft.-lb.
Rear Wheel Nuts	24-29 Newton Meters	17.5- 21.3 ft.-lb.
Seat Binder Bolt	12- 17 Newton Meters	8.8- 12.5 ft.-lb.
Seat Post Clamp Nut	15- 19 Newton Meters	11.0-14.0 ft.-lb.
Brake Anchor Nut	7- 11 Newton Meters	5.1- 8.1 ft.-lb.
Handlebar Clamp Nut	17- 19 Newton Meters	12.5- 14.0 ft.-lb.
Headset Expander Nut	17-19 Newton Meters	12.5- 14.0 ft.-lb.
Crank Cotter Pin Nuts	9-14 Newton Meters	6.6- 10.3 ft.-lb.
Brake Centre Bolt	2-17 Newton Meters	1.5- 12.5 ft.-lb.

6.2 Maintenance Schedule

To keep your NCM E-bike in optimal condition and your riding experience at its most enjoyable, we strongly recommend following the suggested maintenance schedule. You should study it and allow it to become second nature to your riding.

Maintenance Schedule	Each ride	Weekly	Monthly	6 Monthly	Yearly
Tyre pressure	×				
Tyre condition	×				
Visual inspection	×				
Brake lever pressure	×				
Quick releases	×				
Handlebar alignment	×				
Saddle alignment	×				
Battery pack locked	×				
Wheel check	×				
Inspect frame condition (include welds for fissures)		×			
Clean and lubricate chain		×			
Check brake pads		×			
Lubricate forks			×		
Lubricate brakes & cables			×		
Lubricate folding mechanism			×		
Check all bolts and torque settings			×		
Clean bicycle			×		
Charge battery			×		
Check wheel spokes			×		
Inspect rim condition			×		
Inspect saddle, rails and clamp			×		
Grease pedal bearings				×	
Check hub bearings				×	
Check headset bearings				×	
Check bottom bracket bearings				×	
Replace brake pads					×
Replace brake cables (depends on use)					×
Replace tyres (depends on use)					×

 **WARNING:**

—As with all mechanical components, electrically power assisted cycles (EPAC) are subjected to wear and high stresses. Different materials and components may react to wear or stress fatigue in different ways. If the design life of a component has been exceeded, it may suddenly fail, possibly causing injuries to the rider. Any form of crack, scratches or change of coloring in highly stressed areas indicate that the life of the component has been reached and it should be replaced.

6.3 Troubleshooting

How do I know how much charge my battery has when it is not connected to the bike?

- By pushing the power button on the battery, LEDs will light up, indicating the remaining capacity.

How can I test my battery capacity?

- Please contact NCM to arrange the return of your battery for testing. If the battery tests above 85% capacity within the first year (from purchase date) you will be liable for return freight. If it is tested and is under capacity within the warranty period, your battery will be replaced.

What happens if my battery goes empty while I'm riding my E-bike?

- Assistance will stop when only 1 bar remains on the indicator. Your E-bike can still be ridden without assistance.

Should I always empty my battery completely before recharging?

- There is no need to do a complete discharge every time. We recommend doing a complete discharge every 2-3 months.

What should I do if the rim has a buckle or spokes coming loose all the time?

- Take your bike to a qualified wheel builder or technician for service. The issue may be as simple as adjusting the spoke tension.

My display turns on, but the motor does not activate. What should I do?

- Check the motor plug from the controller. This is a very stiff connection and will not work unless the plug is all the way in to the indicator line. The twisting of the handlebar can sometimes cause the plug to pull out slightly if there is not enough slack in the motor cable.

The display won't turn on unless the battery charger is plugged in?

- Please refer to the display manual for error code definition and if needed, report the error code to NCM.

How come competitors' motors make a different sound?

- NCM uses a different internal structure than some competitors. As a consequence, we have a slightly higher frequency and better torque.

If you have any further questions, please feel free to contact us by email at support.eu@ncmbikes.com.

6.4 Definition of Tampering and Recommendations

Category 1	Category 2	Category 3	Category 4
Components which can only be replaced after approval from the bicycle manufacturer/ electronic system provider	Components which can only be replaced after approval from the bicycle manufacturer	Components which can only be replaced after approval from the bicycle or component manufacturer	Components which can be replaced without approval
Motor Sensors Controller Electric cables Controls on the handlebar Display Battery Battery charger	Frame Fork(including suspension) Hubmotor wheel Brake system Brake shoe Luggage carrier Bottom bracket	Cranks Wheel without hub motor Chain or belt (at original width) Rim tape Tyres (at original ETRTO specifications only) Mechanical / hydraulic brake cables Brake system (for drum, disc and roller brakes) Handlebar and stem (without alterations to the handlebar and stem) Saddle and seat post (maximum variation from original should not exceed 20mm) Headlight	Headset Pedals (at the same width as the originals) Derailleurs Shifters Shifting inner/outer cables Chainring / belt drive ring Cassette / freewheel or cogs (when the cogs are the same as the originals) Chaincase Mudguards (only the same size as the originals and mounted at least 10 mm distance from the tyre) Spokes Inner tubes Dynamo Front light / front reflector Rear light / rear reflector Wheel reflectors Kickstand Grips (with a screw clamp only)

⚠ WARNING:

Modifications to any part of your bike, such as the fork or frame, may make that part or the entire bike unsafe. A poorly installed or modified component can increase the stress on all other parts, greatly increasing their chance of failure. Modifications can also adversely affect the handling of your bike, resulting in loss of control, falls and serious injury. Please do not add, remove, or modify parts of your bike in any way before consulting with a trained bike technician. We recommend you consult with us at NCM before you make modifications or add parts, in order to confirm their safety and compatibility with your bike.

7. TECHNICAL DATA

Component	Munich N8C 28" 36V
Motor	Bafang, FD, 36 V 250 W, 15.5 mph, front drive D-motor
Battery	R3S-3613H, 36 V 13 Ah, 468 Wh
Display	Das-Kit, L6B, LCD, 6 assist levels
Front Fork	Zoom, 187D
Crankset	Prowheel, PRO-A38(92), 38T
Brake Lever	Tektro, Left: EL555-RT with brake sensor, Right: CL530-TS
Brake	Front: Tektro, Disc brake, MD-M280; Rear: Promax, TX-117 V brake+Coaster brake
Rear Derailleur	Shimano, NEXUS 8 speed with coaster brake
Tyre	Schwalbe, Marathon 28*1.5"
Light	Front: Spanninga, KENDO, 36V, 20 Lux Rear: Spanninga, Lineo integrated with battery
Max Loading (including bike)	125 kg
Max Speed	15.5 mph

In order to meet our customers' requirements as much as possible, NCM reserves the right to modify the characteristics of its products at any time, without notice. Please contact an authorized NCM distributor for assistance.

8. WARRANTY

Your NCM E-bike comes with a limited warranty. Please visit ncmbikes.com or your local NCM dealer for details.

EC – Declaration of Conformity
In accordance with Directive 2006/42/EC & 2004/108/EC

Manufacturer / responsible person	Leon Cycle GmbH Mr. Lijun Ding
Product	EPAC /Pedelec (electric power assistants cycle)
Brand	NCM
Model	Paris, Paris Plus, London, London Plus, Lyon, Moscow, Moscow Plus, Prague, Prague Plus, Hamburg, Munich, Munich N8C, Venice, Venice Plus, Milano, Milano Plus, Aspen, Aspen Plus, Miami, Miami Plus, Miami Pro, Milano MAX N8R, Milano MAX N8C, Paris MAX N8R, Paris MAX N8C, Alicante, Alicante Plus, Alicante Pro
Standards (safety)	DIN EN 15194:2011 DIN EN ISO 13849:2008 DIN EN 82079:2013

The above mentioned products are in compliance with the essential requirements of the follow Directive, when used for their intended purpose:



Machinery directive

2006/24/EC



directive for electromagnetic compatibility

2004/108/EC

Address

Leon Cycle GmbH
Eckenerstraße 3
30179 Hannover, Deutschland

Phone, fax, mail:

Tel.: +49 (511) 897 938 - 22
Fax: +49 (511) 897 938 - 29
support.uk@ncmbikes.com

Hannover, 10.10.2017

Lijun Ding
 Chief Executive Officer

Place and date of issue

Name and Signature

EN15194 CE



NCM Bikes GmbH

Eckenerstraße 3

30179 Hannover

Germany

Tel.: +49 511 - 897 938 22

Fax: +49 511 - 897 938 29

info@ncmbikes.com

www.ncmbikes.com

HUK11